

SMELL GAS? ACT FAST!

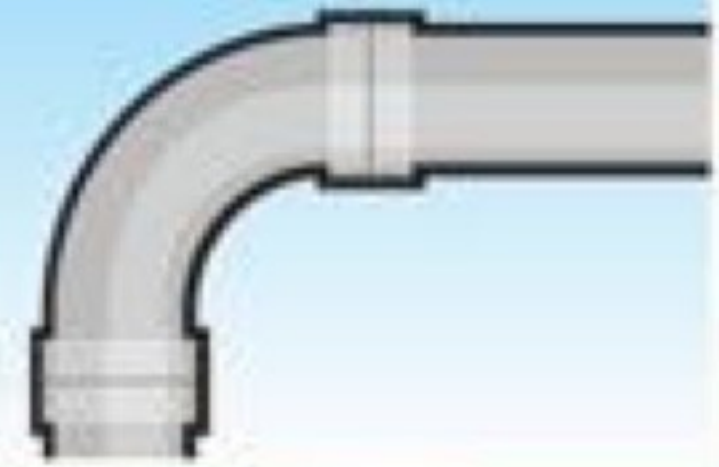
WARNING SIGNS OF A GAS LEAK



SOUND

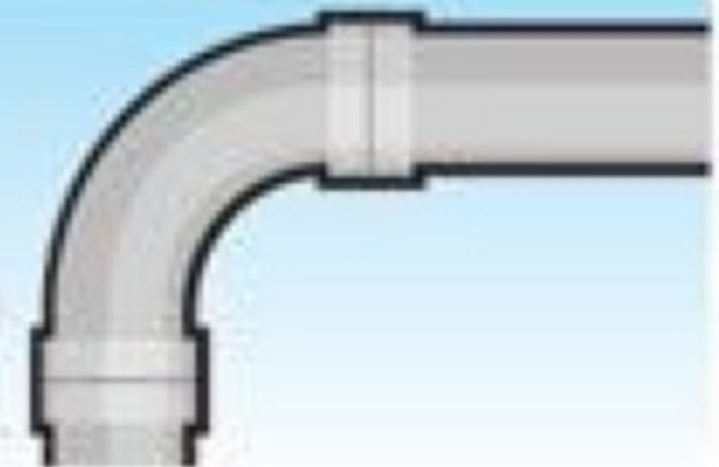
Hissing or whistling noise

HISSSSSSS



SMELL

Unusual odor or rotten egg smell



Discolored or dead grass/plants



SIGHT

Bubbling in wet or flooded areas



Abnormally dry or hard soil



CALL THE CITY OF RENSSELAER GAS DEPARTMENT

219-866-5206